



ESC Code: 000349

More than a Presence Detector. Squaring the Circle

Presence Control PRO IR Quattro COM1 Infrared presence detector is perfect for small offices, stores, service utility rooms, washrooms and toilets. With an installation height of up to 8m and offering a massive 1760 switching zones, choose IR Quattro for excellence in presence detection over a mechanically scalable 16m² detection zone.

Scan Here



Required Accessory (Only One Required)



000370



000363

Ideal Application:

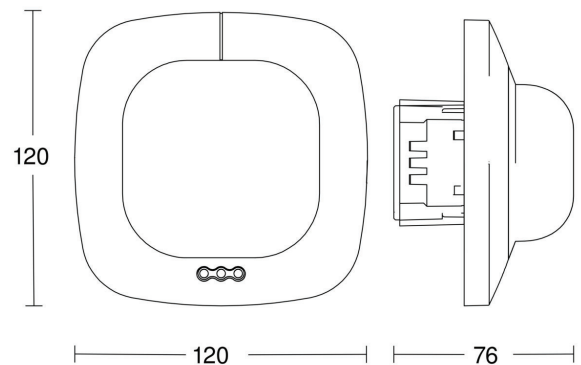
- Conference Room
- One Person Office
- Kitchenette
- Indoors



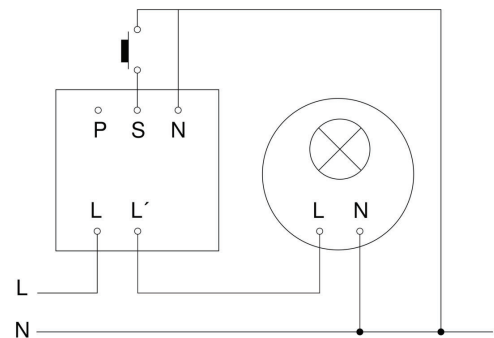
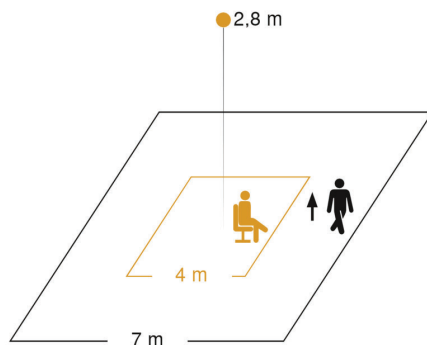
Dimensions (mm)	76 x 120 x 120
Detection Area	Open Area
IP Rating	IP20
Max. Reach	7 x 7m
Delay Time	30 Sec - 30 Min
Mounting Height	2.5 - 8.0m
Light Level Settings	10 - 1000 lx
Mounting	Recessed / Surface
Warranty	5 Years
Settings	Manually / Smart Remote
Technology	Passive Infrared

Max. Load on Switched Relay Output (L')	
GLS	2000W
LED	600W

Types Available: Dali, Dali2, KNX



Dimensions (mm)



Master Circuit Diagram



Infrared Sensor
360°



Max. 4 x 4
Presence

2000w

Max. 2000W



IP20



Ideal 2,5 - 8m



Indoor Sensor



iQ Mode

TEACH

Teach Mode



Energy Saving