

RESTROOMS Presence Detector - HF 360 / HF 360 Com 2



ESC Code: 002800
ESC Code: 002848

You can hardly see it, but it sees everything.

Doesn't miss a thing. Presence Control PRO HF 360 COM1 HF presence detector is perfect for toilet cubicles, changing rooms, stairwells, multi-story car parks or kitchens. With an installation height of up to 3.5m and a 1 – 12m reach, this sensor can be electronically adjusted in two directions, regardless of temperature. The high frequency sensor technology also detects movement through glass, wood and stud walls.

Scan Here



Required Accessory (Only One Required)



000370



000363

Ideal Application:

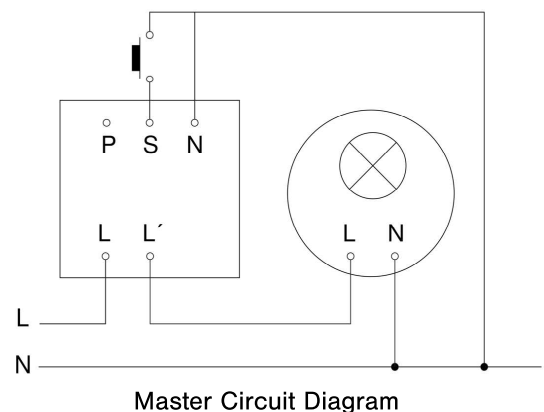
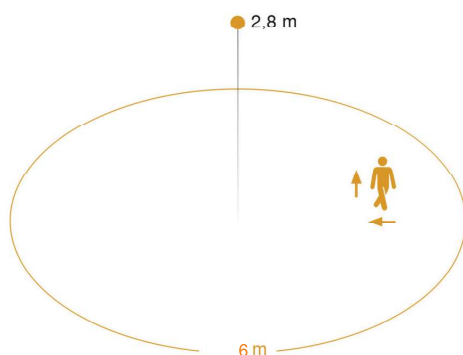
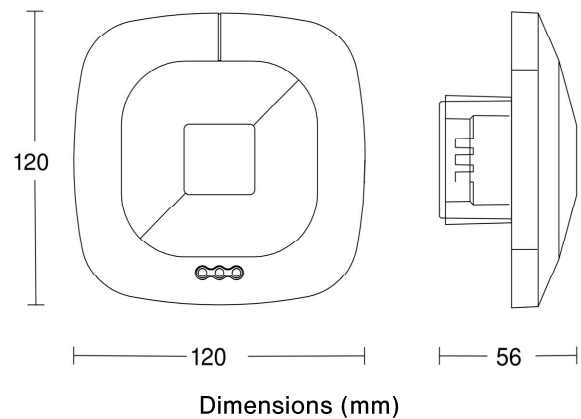
- Function Room
- Kitchenette
- Stairwell
- Restrooms



Dimensions (mm)	56 x 120 x 120
Detection Area	Restroom
IP Rating	IP20
Max. Reach	6m Radius
Delay Time	30 sec - 30 Min
Mounting Height	2.5 - 3.5m
Light Level Settings	10 - 1000 lx
Mounting	Recessed / Surface
Warranty	5 Years
Settings	Manually / Smart Remote
Technology	HF (5.6GHz)

Max. Load on Switched Relay Output (L')	
GLS	2000W
LED	600W

Types Available: Dali, Dali2, KNX



High Frequency Sensor 360°



Max. Ø12m

2000w

Max. 2000W



IP20



Ideal 2.5 - 3.5m



Indoor Sensor

iQ

iQ - Mode

TEACH

Teach Mode



Energy Saving