

Motion Detectors - IS 2300 ECO



ESC Code:
034726 (Black)

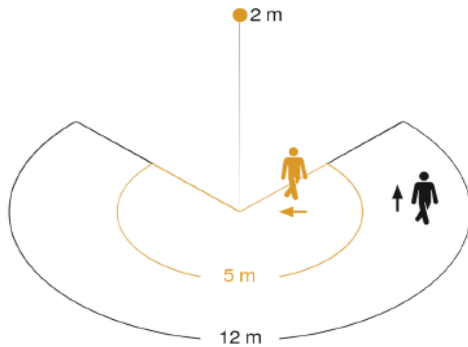


ESC Code:
034719 (White)

Minimal Dimensions. Maximum Detection Performance.

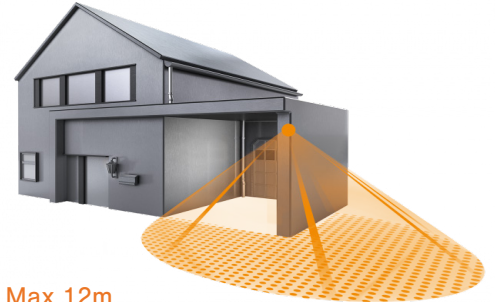
The more obscure building corners, winding corridors and passageways, the more corner specialist IS 2300 ECO has what it takes. The 3 pyro sensors work together to give it a coverage angle of no less than 300°. It's also a powerful performer in terms of switching capacity and can reliably automate lighting systems made up of several luminaires all-round the building.

Scan Here



Ideal Application:

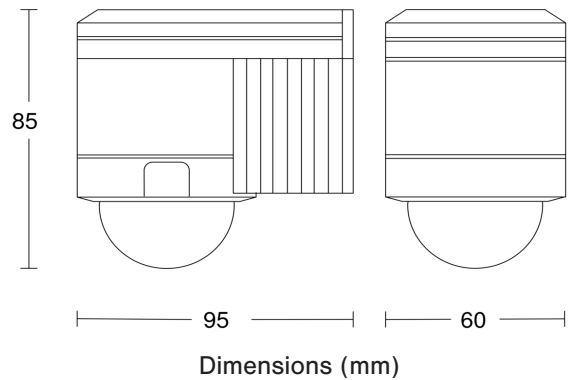
- Corners Around Building
- Outdoors
- Front Door
- Balcony



300° Max 12m

Dimensions (mm)	85 x 60 x 95
Detection Area	300°
IP Rating	IP54
Max. Reach	12m
Adjustment	N/A
Stay on Time	10 Sec - 15 Min
Mounting Height	1.8 - 4.0m
Light Level Settings	2 - 2000 lx
Mounting	Wall & Corner Mount
Warranty	5 Years
Settings	Integrated Turn Wheels

Max.Load on Switched Relay Output (L ²)	
GLS	2000W
LED	64W



Infrared Sensor
300°

Max.12m

2000 W
Max

IP54

80° Horizontal

2 - 2000 lux

10 Sec - 15 Min

Ideal 2m

Energy Saving