

Removal instructions

1. Before removing the installed fitting, de-energise and lock off the mains supply circuit.
Note: There may be 2 actives present, ensure all power is isolated before proceeding.
2. Remove the lid and gear tray from the base.
3. Disconnect the mains supply from the terminal block (and data cable for Nexus LX fitting) and disconnect the battery plug

Testing precautions

Once the fitting is permanently connected to the mains supply, a commissioning discharge test as required in AS/NZS 2293.2 must be carried out. You will need to allow 24 hours for the battery to fully charge prior to conducting this test, presently (at the time of writing), the standard requires that fittings operate in emergency mode for a period not less than 2 hours for their commissioning test and for not less than 90 minutes thereafter (it is required that 6 monthly discharge tests be carried out). You will need to keep the records for the commissioning test and enter them into the building emergency services logbook or via other recording methods as allowed by AS/NZS 2293.2.

4. Disconnect earth plug on the gear tray coming from cast base.
5. Unscrew 2 screws and remove the base.
Note: When the fitting is reconnected to the supply, it will need 24 hours charging time before it will be capable of a full duration discharge.

Construction sites

Continuously switching off the mains power supply that is connected to emergency light fittings during the construction phase of an installation will cause these fittings to discharge and charge their batteries many times over a short period; this can shorten life of the battery. ABB does not recommend such practices and may not honour the warranty on batteries when they are subjected to such harsh operating conditions. Emergency light fittings are designed to be discharge tested once every 6 months as per AS/NZS 2293.2, subjecting the product to repeated discharge or charge cycles is regarded as an abuse of the fittings.

Troubleshooting guide

If you have installed and connected the fitting as per the instructions listed earlier and it does not function correctly, use the following table as a guide to fixing the problem. Look up the type of fault in the left column and check the possible causes from the right column.

If the fitting still does not work after checking these possible causes, contact ABB customer service in Australia on 1800 60 20 20.

No.	Fault	Possible causes
1	LED light source and indicating LED not lit	AC supply not connected or turned off; and/or Test switch damaged
2	LED light source is lit but indicating LED not lit	Test switch damaged; or Battery not connected or faulty; or USA not connected or turned off
3	The 4 emergency LEDs do not illuminate when the test button is pressed	Test switch damaged; or Battery not connected or faulty
4	The 4 emergency LEDs work momentarily when the test button is pressed	Battery not yet charged (allow up to 24 hours)

ABB Australia Pty Limited

For enquiries
ABB contact centre: 1800 60 20 20
E-mail: AU-ABB-Stanilite@abb.com

INSTALLATION MANUAL

Stanilite® Circular LED weatherproof Standard, Nexus® LX, Nexus RF



Thank you for choosing ABB product

Please read this document thoroughly before commencing installation and retain for future reference. Contact ABB customer service in Australia on 1800 60 20 20 if you need any assistance. The installation instructions were correct at the time of print. To reflect changes in technology and Australian standards; ABB reserves the right to amend the instructions without notice. Updated document can be found on the Stanilite website.

Safety warning

In Australia and New Zealand, only licensed electricians are permitted by law to work with 240 volt electrical installations. Do not attempt to install or connect this product unless you are a licensed electrician. Turn off and isolate the electrical supply before connecting this fitting to the building wires. Do not touch the terminals of the terminal block when the light fitting is energised. The only user-serviceable part is the battery pack. LED light source is not user-serviceable. Do not attempt to service other parts of the fitting as this will void the warranty. As the installer, it is your responsibility to ensure compliance with all relevant building and safety codes, (ie: AS/NZS 3000, AS/NZS 2293). Refer to the applicable standards for data and mains

This document covers	What's inside the box
Safety warning	Circular LED weatherproof
Installation instructions	Accessories kit
Removal instructions	Installation manual
Testing precautions	Warranty information
Troubleshooting guide	

cabling installation procedures and requirements.

Important to note:

- This product is designed for indoor and outdoor use.
- Not suitable for installations where exposure to direct sunlight may occur.

Nexus LX (data cable system)

The Nexus range of emergency light fittings are designed to be connected together into a special communication network over a level 4 (or higher) high speed, single twisted pair data cable. The Nexus user and technical guide describes all you need to know to successfully install a Nexus project. Ask for it from your supervisor, from your employer or from your nearest ABB product supplier. The network cabling of the building must be installed as per the procedure detailed in the Nexus user and technical guide. No mains or mains carrying cables are to be connected to the data terminals or cables.

Nexus RF (wireless system)

The Nexus RF range of light fittings are designed to communicate via a proprietary RF network, however the electrical installation of the fittings is identical to that of a standard non-monitored fitting.

Installation instructions

Important: The mounting holes centres distance is 338mm, see figure 1.

1. Use the allen key M5 provided to unscrew 4 x M5 socket head screws and remove the lid.
2. Unscrew 4 screws from the gear tray then remove it from the base.
3. Decide on the mains entry (back or side, see figure 1) and use the existing cable entry hole when possible, alternatively drill a cable entry hole to suit the conduit or cable gland size. For Nexus LX fitting; drill an extra hole for data cable entry. Remove all burrs and sharp edges around the cable entry hole and make sure the base is free of dust. Use the provided cable grommet for data cable.
 - It is highly recommended to use the provided cable grommet.

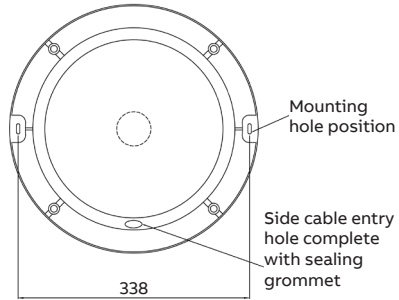




Figure 1: Mounting holes and mains cable entry option



Figure 2: Test switch must be facing up when installing the gear tray to the base

4. Determine the mounting location, mark and drill the mounting holes to suit the plastic expansion anchors provided or use appropriate fixings (not supplied) to suit the building construction material and secure the base in place noting the "THIS WAY UP" label. Make sure the mounting screws are fixed into solid material that is strong enough to support the weight of the fitting which is approximately 5kg.
5. Run mains cable in the ceiling or wall space as appropriate or surface mounted in conduit, slide the cable gland over the cable then feed the cable through the entry hole of the base. Allow adequate wire length to reach the terminal block then secure the cable gland in place.
6. Plug in the spade earth terminal from cast base to the gear tray.
7. Terminate mains wires to the terminal block. Be careful with multi-strand conductors that all the strands are twisted together before insertion into the terminal block. Any stray strands that inadvertently come into contact with their neighbouring terminal will cause undesirable results when fitting is powered.

Wire/fitting type	Non-maintained	Maintained - with SA
Switched active	Wire to SA terminal	Wire to SA terminal
Unswitched active	Wire to terminal A	
Neutral	Wire to terminal N	Wire to terminal N
Earth	Wire to terminal E or 	Wire to terminal E or 

8. Refer to data connection section for Nexus LX data cable termination and Nexus RF antenna cable connection.
9. Verify that the battery is connected to the power pack.
10. For wall mount fitting; note the label "THIS WAY UP" on the gear tray to orient the gear tray correctly and secure it to the base by 4 screws.
11. Energise the fitting and check the operation of the fitting to ensure that the installation was successful. Once powered up allow a few minutes to give the battery a small charge then press the test button on the side of the base. Check the operation and LED indications per the following tables. Refer to the troubleshooting guide at the end of this document if abnormal operation or indication is encountered.

Fitting type	Normal operation	Test switch pressed (after few minutes charging)
Without motion detect sensor	LED panel will illuminate to full brightness when SA is energised	4 non-maintained emergency LED will illuminate
With motion detect sensor	The operation of the LED panel in normal mains availability is dependent on the settings of the motion detect module. Please refer to separate sheet included for details	4 non-maintained emergency LED will illuminate

Fitting type	Indicator LED state - on initial powering - no fitting faults
Non-monitored	Solid red
Nexus LX	Flashing green
Nexus RF	Green flash with 2 red blinks, green flash with 3 red blinks

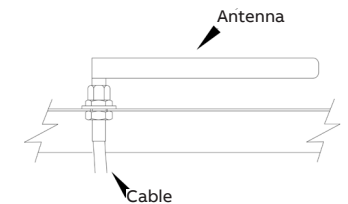
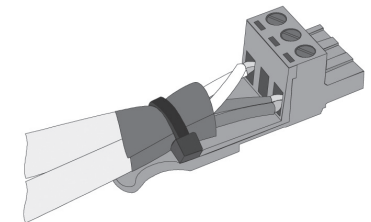
12. This step is for Nexus LX or Nexus RF only; once manually checked, it is ready for the commissioning into the Nexus network. Keep the information details of this fitting including exact location description, MAC address label, DB (distribution board) and CB (circuit breaker) numbering, channel and router numbering, plan number and cross referencing information as all of this will be required for entry into the database during commissioning. Refer to the Nexus user and technical guide for full details. As the installer, it is your responsibility to conduct the initial discharge testing of the installed fitting. Refer to AS/NZS 2293.
13. If the installation is successful, secure the lid to the base. Ensure to tighten the lid's screws to 8N.m torque to maintain the fitting IP rating integrity.

Data connections - Nexus LX and Nexus RF product range

Nexus LX fitting

- Connect the data cable to the green connector on the power pack or PCA.
- When correctly installed no fitting should have more than 2 data cables connected to it.
- If you have more than 2 data cables at any 1 fitting, the installation is incorrect.
- If this fitting is at the end of a data cable run, a terminator needs to be wired parallel across the 2 data lines.
- If there is an in and out data cable, then the shields should be wound together, folded back and taped up.
- Consult the Nexus user and technical guide for further detail, including product commissioning.

- Consult the Nexus user and technical guide for further detail, including product commissioning.



Nexus RF fitting

- Collect the MAC address, by removing the peel off sticker section and locating it on your floor plan or spreadsheet.

Important: 24 hours is required to allow the fitting battery to reach full capacity, ie: prior to a discharge test. As the installer, it is your responsibility to conduct the initial discharge testing of the installed fitting. Refer to AS/NZS 2293.