

4. Lamp operation;

- Maintained; once powered up, in a maintained fitting the normal AC lamp (if present) should light up and stay on until the power supply to the fitting fails. The emergency function of the fitting should only operate when the unswitched active power supply fails or when somebody presses the manual test button located on the fitting.
- Non-maintained; once powered up, in a non-maintained fitting the present lamp stays off. The emergency function of the fitting should only operate when the unswitched active power supply fails or when somebody presses the manual test button located on the fitting.

Important: 24 hours is required to allow the fitting battery to reach full capacity, ie: prior to a discharge test. As the installer, it is your responsibility to conduct the initial discharge testing of the installed fitting. Refer to AS/NZS 2293.

Removal instructions

1. Switch off the mains supplies to the fitting.
2. Remove the fuse from fuse holder and then unscrew the mounting screws of the fitting.
3. When the fitting is reconnected to the supply, it will need time to recharge its battery before it will be capable of a full length discharge again.

Construction sites

Continuously switching off the mains power supply that is connected to emergency light fittings during the construction phase of an installation will cause these fittings to discharge and charge their batteries many times over a short period; this can shorten life of the battery. ABB does not recommend such practices and may not honour the warranty on batteries when they are subjected to such harsh operating conditions. Emergency light fittings are designed to be discharge tested once every 6 months as per AS/NZS 2293.2, subjecting the product to repeated discharge or charge cycles is regarded as an abuse of the fittings.

Troubleshooting guide

If you have installed and connected the fitting as per the instructions listed earlier and it does not function correctly, use the following table as a guide to fixing the problem. Look up the type of fault in the left column and check the possible causes from the right column.

If the fitting still does not work after checking these possible causes, contact ABB customer service in Australia on 1800 60 20 20.

No.	Fault	Possible causes
1	Red LED not lit (only applicable where used)	AC supply not connected; or AC supply turned off; or Battery not connected; or Fuse missing; or Test switch damaged
2	Red LED is lit (only applicable where used) but lamp does not come on when test switch is pressed	Lamp damaged; or Battery pack damaged; or Test switch damaged
3	Lamp is lit momentarily when test switch is pressed; or When mains fail	Battery not fully charged (allow up to 24 hours); or Battery pack damaged

ABB Australia Pty Limited

For enquiries
ABB contact centre: 1800 60 20 20
E-mail: AU-ABB-Stanilite@abb.com

INSTALLATION MANUAL

Stanilite®
Remote power supply



Thank you for choosing ABB product

Please read this document thoroughly before commencing installation and retain for future reference. Contact ABB customer service in Australia on 1800 60 20 20 if you need any assistance. The installation instructions were correct at the time of print. To reflect changes in technology and Australian standards; ABB reserves the right to amend the instructions without notice. Updated document can be found on the Stanilite website.

Safety warning

In Australia and New Zealand, only licensed electricians are permitted by law to work with 240 volt electrical installations. Do not attempt to install or connect this product unless you are a licensed electrician.

This document covers	What's inside the box
Safety warning	Remote power supply
Installation instructions	Installation manual
Wiring connections	Warranty information
Removal instructions	
Troubleshooting guide	

Turn off and isolate the electrical supply before connecting this fitting to the building wires. Do not touch the terminals of the terminal block when the light fitting is energised. The only user-serviceable part is the battery. Do not attempt to service other parts of the fitting as this will void the warranty. As the installer, it is your responsibility to ensure compliance with all relevant building and safety codes, (ie: AS/NZS 3000, AS/NZS 2293). Refer to the applicable standards for data and mains cabling installation procedures and requirements.

Important to note:

- This product is designed for indoor use only.

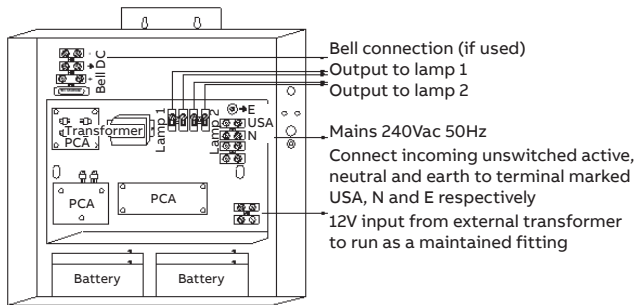
Installation instructions

1. Use a pencil to mark the position of the mounting screw holes for the fitting.
2. Depending on the wiring configuration, determine the cable entry or exit and remove the appropriate cable knockout(s).
3. Secure the fitting to the wall/ceiling using appropriate fixings (not supplied) depending on the type of building construction material used.

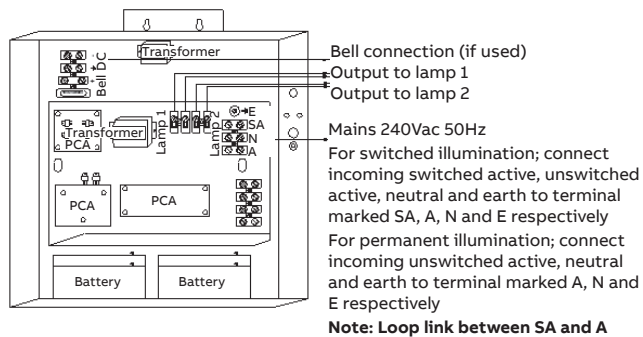
Wiring connections

Following below are the wiring connections of various models of remote power supplies. Ensure that the stripped wire ends are completely inserted into the terminal block and no bare conductors are exposed to the metal. Place the fuse into fuse holder before connecting fitting to mains (fuse is placed inside the box and normally secure with the tape).

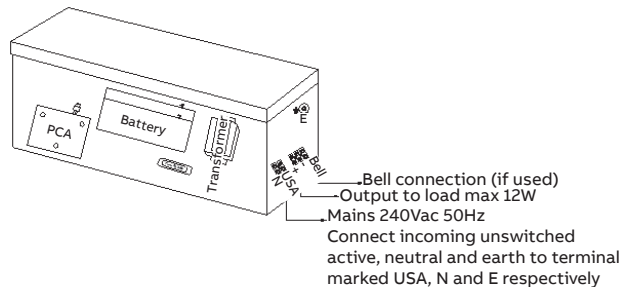
- **PS504**; 12V non-maintained fitting specifically designed for lift to run 2x50W downlights. The output power on emergency is 50% of the rated power.



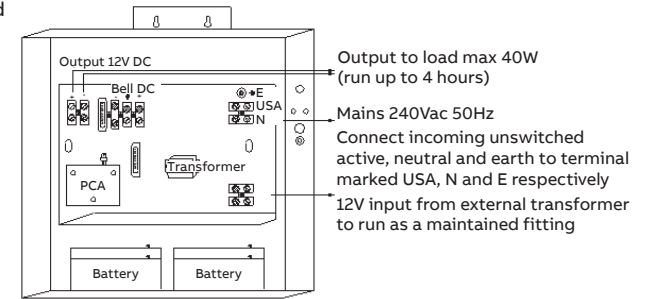
- **PS504M**; 12V maintained fitting specifically designed for lift to run 2x50W downlights. The output power on emergency is 50% of the rated power.



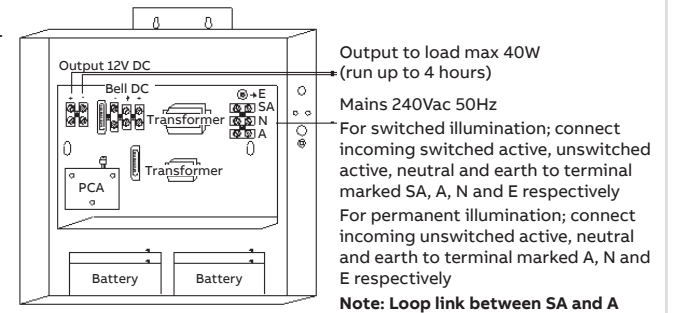
- **PS124**; 12V non-maintained fitting designed for lift but can also be used remotely to provide escape lighting for large areas or to provide backup supply for the lighting up of difficult or hostile environments. The maximum load limit is 12W if used in a lift. The maximum load can be 24W if using as backup supply to comply with AS/NZS 2293.



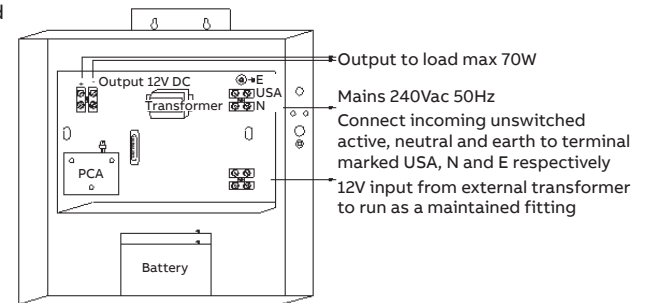
- **PS404-NB**; 12V non-maintained fitting designed for lift but can also be used remotely to provide escape lighting for large areas or to provide backup supply for the lighting up of difficult or hostile environments. The maximum load limit is 40W if used in a lift. The maximum load can be 80W if using as backup supply to comply with AS/NZS 2293.



- **PS404M**; 12V maintained fitting specifically designed for lift to run 2x20W downlights.



- **PS702-NB**; 12V non-maintained fitting designed to be used remotely to provide escape lighting for large areas or to provide backup supply for the lighting up of difficult or hostile environments. The maximum load limit is 35W if used in a lift. The maximum load can be 70W if using as backup supply to comply with AS/NZS 2293.



- **PS702M**; 12V maintained fitting designed to be used remotely to provide escape lighting for large areas or to provide backup supply for the lighting up of difficult or hostile environments. The maximum load limit is 35W if used in a lift. The maximum load can be 70W if using as backup supply to comply with AS/NZS 2293.

