

Vertical wall mounting

1. If mounting exit vertically on side wall, you must allow approximate 50mm free space above the ceiling bracket in order to slide the exit (step 2) into ceiling bracket.
2. The exit must only be installed as per figure 3, that is, with the terminal block at the top. This is to ensure that the exit is securely held and cannot inadvertently slide out of the bracket.

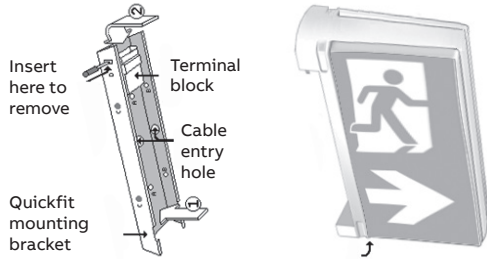


Figure 6: Quickfit vertical wall mounting

Construction sites

Continuously switching off the mains power supply that is connected to emergency light luminaires during the construction phase of an installation will cause these luminaires to discharge and charge their batteries many times over a short period; this can shorten life of the battery. ABB does not recommend such practices and may not honour the warranty on batteries when they are subjected to such harsh operating conditions. Emergency light luminaires are designed to be discharge tested once every 6 months as per AS/NZS 2293.2, subjecting the product to repeated discharge or charge cycles is regarded as an abuse of the luminaires.

Troubleshooting guide

If you have installed and connected the luminaire as per the instructions listed earlier and it does not function correctly, please refer to the Quickfit installation manual's troubleshooting guide.

If the luminaire still does not work after checking these possible causes, contact ABB customer service in Australia on 1800 60 20 20.

INSTALLATION MANUAL

Stanilite®

Exit LED Quickfit® weatherproof and housing LED Quickfit weatherproof



What's inside the box

- Glass filled nylon base (1)
- Acrylic/polycarbonate diffuser (1)
- Back plate (1)
- Clear inserts (2)
- Nut M6 hex stainless steel (4)
- Screw 10 x 1/2 mush nib steel (2)
- Screw M6 x 16 stainless steel socket cap (4)
- Screw M6 x 16 stainless steel pan Philips head (4)
- Warranty information (1)

Refer to the applicable standards for the relevant rules.

Thank you for choosing ABB product

Please read this document thoroughly before commencing installation and retain for future reference. Contact ABB customer service in Australia on 1800 60 20 20 if you need any assistance. The installation instructions were correct at the time of print. To reflect changes in technology and Australian standards; ABB reserves the right to amend the instructions without notice. Updated document can be found on the Stanilite website.

Safety warning



Caution risk of electric shock!

Disconnect mains supply before installing, servicing or maintaining the luminaire.

To be installed by a qualified electrician in accordance with AS/NZS 3000 wiring regulations. Ensure that the rated voltage and frequency of the luminaire is compatible with the electrical supply.

As the installer, it is your responsibility to ensure compliance with all relevant building and safety codes, (ie: AS/NZS 3000, AS/NZS 2293).

Important to note:

- This product is designed for indoor and outdoor use.
- Not suitable for installations where exposure to direct sunlight may occur.
- The only user serviceable part inside the product is the battery and/or complete Quickfit frame assembly .
- The diffuser installation must be as per below.

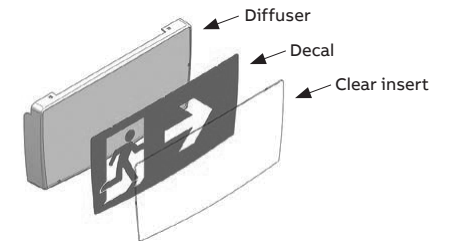


ABB Australia Pty Limited

For enquiries
 ABB contact centre: 1800 60 20 20
 E-mail: AU-ABB-Stanilite@abb.com



Installation instructions

1. Take the nylon base and drill holes to suit (refer figure 1). Base mounting screws are not supplied with the luminaire. Use appropriate screws as required depending on your installation, ie: wall or ceiling. Installer must ensure proper sealing of any penetration to the base to maintain the IP rating of the luminaire.

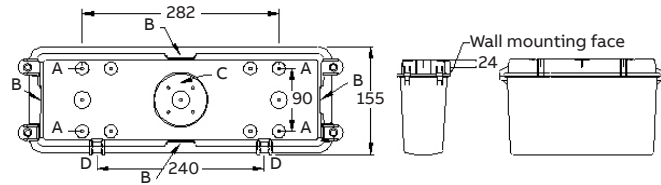


Figure 1: Glass filled nylon base, drill to suit for mounting

- 'A' drill to suit for ceiling mount.
- 'B' drill to suit for conduit entry.
- 'C' drill to suit for standard junction box mounting or top side conduit entry.
- 'D' drill to suit for wall mounting.
- 'A' also drill to suit for wall mount using Stanilite wall mount bracket part number WQFWM.

2. Install the ceiling bracket inside the base using 2 screws 10 x 1/2 mush nib steel supplied with the luminaire. For mains wiring and installation details of the Quickfit, please refer to the Quickfit installation manual.
3. Once the Quickfit is installed into the mounting bracket, you can install the enclosure into the base using either the socket cap or pan Philips head stainless steel M6 x 16 screws and nuts supplied with the luminaire.

Wall mount options

1. Without using any wall mount bracket; drill holes in the base to suit (refer figure 1, hole position 'D') for wall mount installation without using any bracket. Use appropriate screws as required. Installer must ensure proper sealing of any penetration to the base to maintain the IP rating of the luminaire.
2. Using Stanilite wall mount bracket WQFWM; for robust wall mounting use Stanilite wall mounting bracket part number WQFWM. Refer figure 2 for installation of wall mount bracket. The bracket is manufactured from 2.0mm stainless steel and is powder coated low sheen black. In figure 2 'A' indicates conduit adaptors can be fitted to these faces. Installer must ensure proper sealing of any penetration to the base to maintain the IP rating of the luminaire. The necessary hardware (screws, nuts and washers) are supplied with the bracket. Figure 3 shows how the supplied hardware is used when installing the wall bracket to the nylon base.

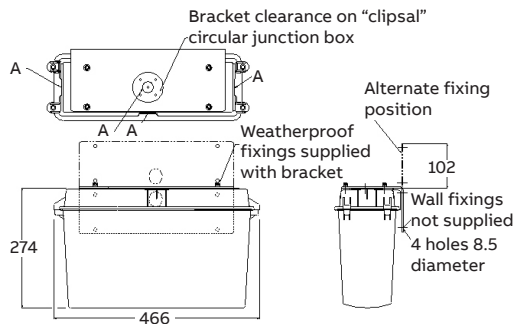


Figure 2: Showing installation detail of wall mount bracket

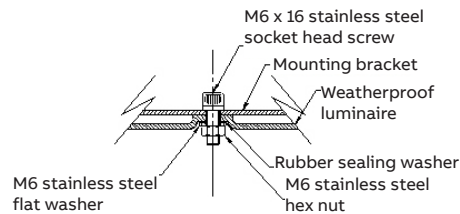


Figure 3: Showing details of supplied hardware to be used with the bracket

Wall mount cantilever options

1. Using Stanilite heavy duty cantilever wall mount bracket WQFCLH; for robust cantilever wall mounting use Stanilite heavy duty bracket part number WQFCLH. Refer following figure 4 for installation of cantilever heavy duty wall mount bracket. The cantilever heavy duty bracket is manufactured from 6.0mm mild steel, hot zinc dipped and is powder coated low sheen black. In figure 4 'A' indicates conduit adaptors can be fitted to these faces. Installer must ensure proper sealing of any penetration to the base to maintain the IP rating of the luminaire. The necessary hardware (screws, nuts and washers) are supplied with the bracket. Figure 3 shows how the supplied hardware is used when installing the cantilever heavy duty wall bracket to the nylon base.

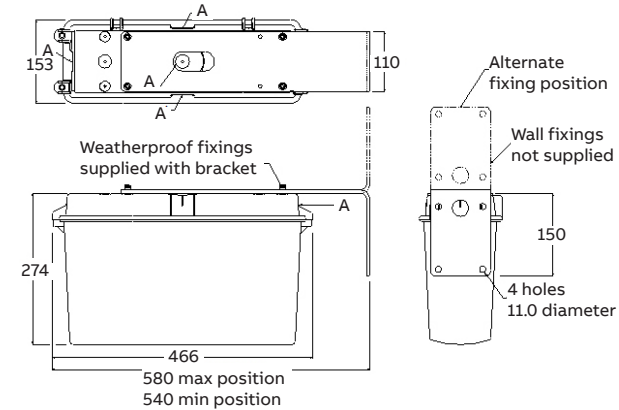


Figure 4: Showing installation detail of cantilever heavy duty wall mount bracket

2. Using Stanilite light weight cantilever wall mount bracket WQFCLL; refer figure 5 for installation of cantilever light weight wall mount bracket WQFCLL. The cantilever light weight bracket is manufactured from 1.5mm stainless steel and is powder coated low sheen black. In figure 5 'A' indicates conduit adaptors can be fitted to these faces. Installer must ensure proper sealing of any penetration to the base to maintain the IP rating of the luminaire. The necessary hardware (screws, nuts and washers) are supplied with the bracket. Figure 3 shows how the supplied hardware is used when installing the cantilever light weight wall bracket to the nylon base.

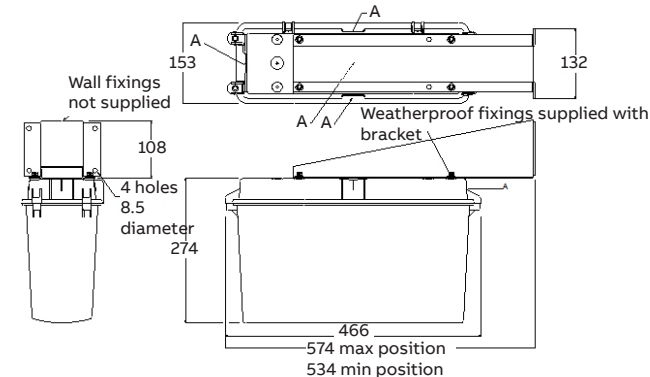


Figure 5: Showing installation detail of cantilever light weight wall mount bracket