

Stanilite®

Platinum power supply unit remote weatherproof

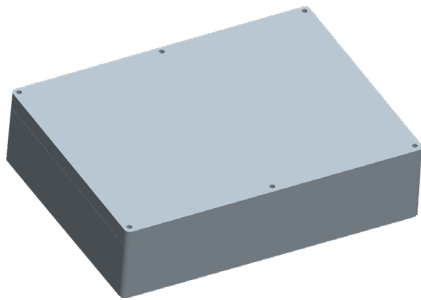


Image indicative only

Range

Platinum range

Product group

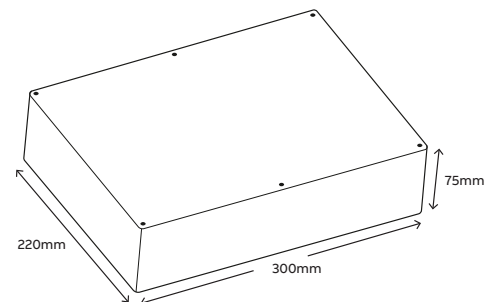
Power supply unit



Features

- Used in combination with weatherproof remote exit; exit mounted inside the freezer or coolroom and remote power supply mounted outside up to 10m away from the exit
- Low power consumption for reduced operation and maintenance costs
- IP55 weatherproof enclosure
- Advanced charging technology combined with Lithium iron phosphate battery for long life and low maintenance
- Chemical resistant UV stabilised polycarbonate enclosure
- Includes 10m interconnection cable
- Weatherproof remote exit available in standard configuration. Refer to separate technical data sheets; PWQFFRLEDP-P, PWEXLEDREM-1P, PWEXLEDREM-2P, PWEXLEDREM-3P

Catalogue no.	Description
EM products	
WPPSLED1W6P	Platinum power supply unit remote weatherproof - for exit LED
Spare parts	
03-01301P	Battery LiFePO4 3.2V 3.2Ah



Dimensions		
Length	Width	Height
300mm	220mm	75mm
Weight		
Model	Weight	
EM	2.0kg	
Construction		
Part	Construction	
Enclosure cover	Polycarbonate	
Power consumption		
Model	Power consumption	
EM	3.2W	

Note:
 - Designed to comply with AS2293 and meet relevant Australian EMC standards

ABB Australia Pty Limited
Phone: 1800 60 20 20
E-mail: AU-ABB-Stanilite@abb.com

www.stanilite.com.au

We reserve the right to make technical changes or modify the contents of this document without prior notice. With regard to purchase orders, the agreed particulars shall prevail. ABB does not accept any responsibility whatsoever for potential errors or possible lack of information in this document.

We reserve all rights in this document and in the subject matter and illustrations contained therein. Any reproduction, disclosure to third parties or utilisation of its contents – in whole or in parts – is forbidden without prior written consent of ABB.
Copyright © 2020 ABB
All rights reserved