

IS 3180

COM1 - surface, sq.
EAN 4007841 009113
Article number 009113



infrared sensor
180°



max. 20 m

2000 W

2000 W max. (LED-ready)



IP54



2 - 1000 lux



5 sec - 15 min



manual override 4h



Ideal 2 m

Teach

Teach mode



energy saving

Function description

For large areas. Infrared motion detector IS 3180 for indoors and out, ideal for watching over large areas, ideal installation height 2 m, 180° angle of coverage, reach 20 m max. or 8 m max. (tangential), large terminal compartment for easy installation, heavy-duty relay for high switching capacity.

Technical specifications

Dimensions (L x W x H)	65 x 95 x 95 mm	LED lamps > 2 W < 8 W	300 W
Manufacturer's Warranty	5 years	LED lamps > 8 W	600 W
Settings via	Remote control, Potentiometers, Smart Remote	Capacitive load in µF	176 µF
With remote control	No	Sensor Technology	Passive infrared
Version	COM1 - surface, sq.	Mounting height	1,80 – 2,50 m
PU1, EAN	4007841009113	Mounting height max.	2,50 m
Type	Motion detectors	Optimum mounting height	2 m
Application, place	Outdoors, Indoors	Detection angle	180 °
Application, room	corridor / aisle, function room / ancillary room, stairwell, multi-storey / underground car park, outdoors, all round the building, courtyard & driveway, Indoors	Angle of aperture	90 °
Colour	white	Sneak-by guard	Yes
Colour, RAL	9003	Capability of masking out individual segments	Yes
Includes corner wall mount	No	Electronic scalability	No
Installation site	wall, corner	Mechanical scalability	No
Installation	Surface wiring, Wall, corner	Reach, radial	r = 3 m (14 m ²) / r = 4 m (25 m ²)
		Reach, tangential	r = 6 m (57 m ²) / r = 20 m (628 m ²)
		Switching zones	448 switching zones

IS 3180

COM1 - surface, sq.
 EAN 4007841 009113
 Article number 009113



Technical specifications

IP-rating	IP54
Ambient temperature	-20 – 50 °C
Material	Plastic
Mains power supply	220 – 240 V / 50 – 60 Hz
Switching output 1, resistive	2000 W
Switching output 1, number of LEDs / fluorescent lamps	8 pcs.
Fluorescent lamps, electronic ballast	1500 W
Fluorescent lamps, uncorrected	1000 VA
Fluorescent lamps, series-corrected	400 VA
Fluorescent lamps, parallel-corrected	400 VA
Switching output 1, low-voltage halogen lamps	2000 VA
LED lamps < 2 W	100 W

Functions	Normal / test mode, Manual ON / ON-OFF
Twilight setting	2 – 1000 lx
Time setting	5 s – 15 Min.
Basic light level function	No
Main light adjustable	No
Twilight setting TEACH	Yes
Constant-lighting control	No
Interconnection	Yes
Type of interconnection	Master/master
Interconnection via	Cable

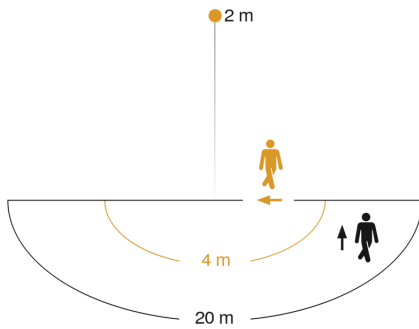
Accessories

EAN 4007841 009151	Remote control Smart Remote
EAN 4007841 559410	Service remote control RC8
EAN 4007841 035174	Corner wall mount 3000
EAN 4007841 056711	Black cover for IR-sensors

IS 3180

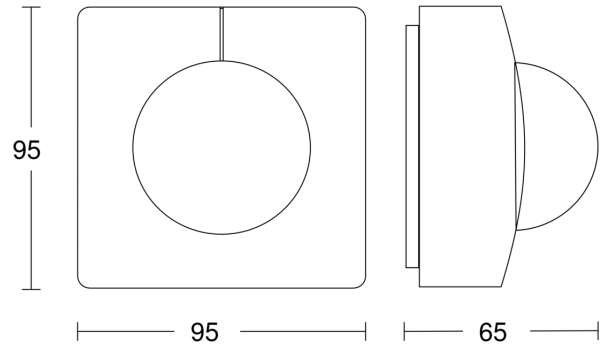
COM1 - surface, sq.
EAN 4007841 009113
Article number 009113

Detection Zone

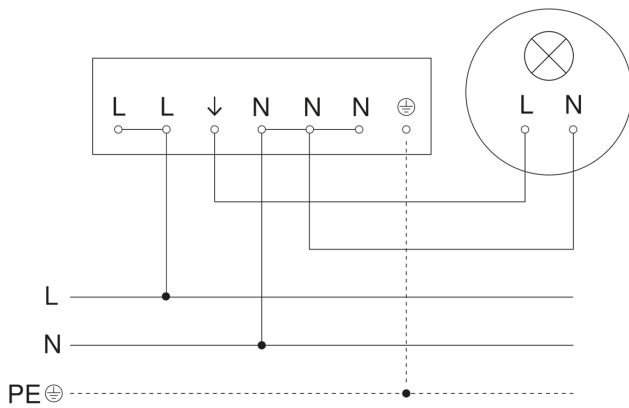


Mögliche Montagehöhe: 1,80 m – 2,50 m
Orange: radial
Schwarz: tangential

Dimension Drawing



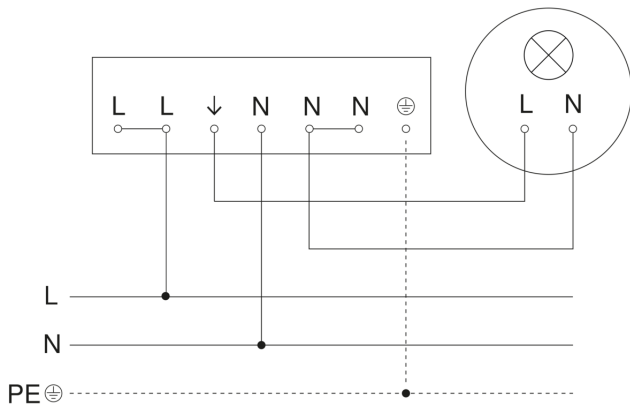
Master circuit diagram



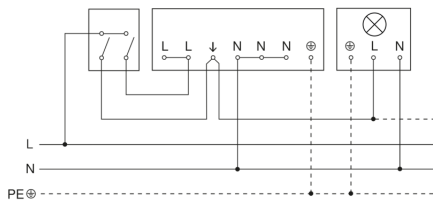
IS 3180

COM1 - surface, sq.
EAN 4007841 009113
Article number 009113

Master/slave interconnection circuit diagram



Connection using two-circuit switch for manual and automatic operation



Connection of 4-fold push-button coupler to DALI2 APC

